

NOTES: UNLESS OTHERWISE SPECIFIED

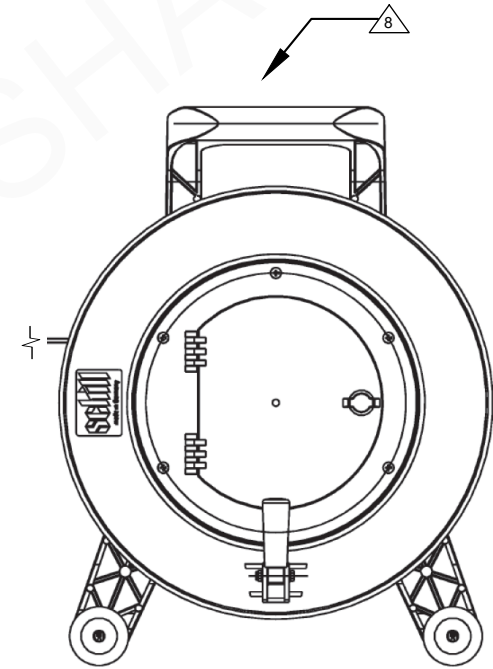
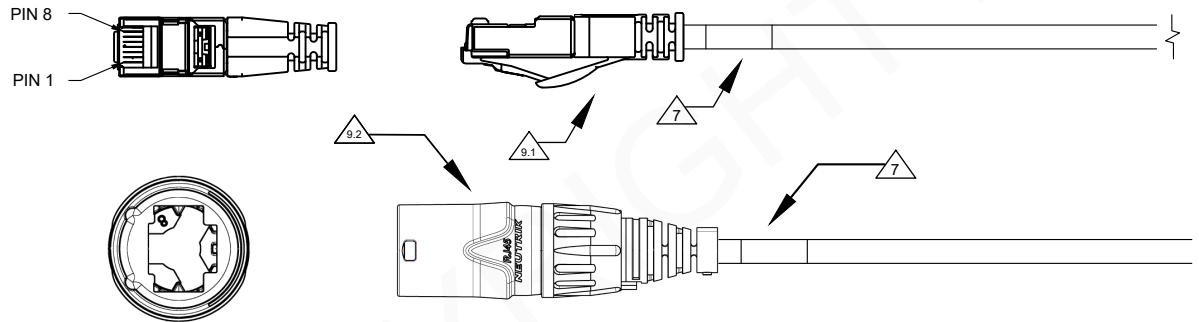


TACTICAL AND RUGGED DEPLOYABLE ETHERNET ASSEMBLY BUILD SPECIFICATIONS (CAT 6A SHIELDED)

REV	ECR	DESCRIPTION	BY	DATE	CHECKED
B	-	INITIAL RELEASE	T.D.	2/21/23	T.D.

MANUFACTURED IN THE USA | TAA COMPLIANT

1. MATERIALS AND COMPONENTS ARE RoHS/REACH COMPLIANT.
2. CONNECTORS AND CABLE MEET THE REQUIREMENTS OF ANSI/TIA 568-C.2.
3. ISO CERTIFIED MANUFACTURING IN THE USA
4. 100% CONTINUITY TESTING WITH 15% AQL ON ATTENUATION NEXT, & RETURN LOSS
5. IMPEDANCE TESTING WITH HP NETWORK ANALYZER
6. COMPLIES WITH EIA/TIA 568A CAT 6A SPECIFICATIONS
7. QUICKTREX LABEL WHICH INCLUDES PART NUMBER & SERIAL NUMBER
8. ASSEMBLY INSTALLED ON DEPLOYMENT REEL WITH 10FT LEAD ON BACK END IF CHOSEN
9. CONNECTOR OPTIONS:
 - 9.1: STANDARD SHIELDED RJ45 MODULAR PLUG WITH STRAIN RELIEF BOOT
 - 9.2: NEUTRIK ETHERCON CONNECTOR



OPTIONAL DEPLOYMENT REEL

BILL OF MATERIALS			DESCRIPTION: CAT 6A SHIELDED TACTICAL & RUGGED DEPLOYABLE CUSTOM ETHERNET ASSEMBLY		
ITEM	QUANTITY	COMPONENT	DRAWN BY:	T.D.	02/23/2021
1	1	CAT6A SHIELDED 26AWG/4PAIR 600MHz TACTICAL INDUSTRIAL S/STP ETHERNET CABLE	APVD BY:	J.P.	02/23/2021
2	2	SHIELDED RJ45 CAT 6A CONNECTOR WITH CLEAR SNAGLESS BOOT OR NEUTRIK ETHERCON CONNECTOR	DIMENSIONS: METRIC [IMPERIAL]		
3	1	TESTING	TITLE: CAT 6A SHIELDED TACTICAL & RUGGED DEPLOYABLE CUSTOM ETHERNET ASSEMBLY		
4	VARIES	QUICKTREX LABELING (REEL, SERIAL, SKU, TEST CONFIRMATION)	PROPRIETARY AND CONFIDENTIAL		
5	OPTIONAL	DEPLOYMENT REEL	THIS DOCUMENT CONTAINS PROPRIETARY INFORMATION OF LANSHACK. NOT TO BE USED, COPIED, OR DISCLOSED WITHOUT WRITTEN PERMISSION. ALL RIGHTS RESERVED.		
			SIZE	PART. NO.	REV
			A	QT-TAC-C6A	B
			SCALE: NOT TO SCALE		SHEET 1 OF 1

